

FEATURED MODEL

157-045-CR BLANCOZIROS™ in Polished Chrome

ADDITIONAL MODELS

157-045-ST Stainless (Satin Nickel)

FEATURES

- Solid brass body
- Ceramic disc cartridge
- Reversible mounting hardware adapts to thick or thin mounting surfaces
- 2.2 G.P.M. flow rate
- Installation in a 1-3/8" hole

CODE/STANDARDS COMPLIANCE

ASME A112.18.1-2005

IAPMO Listed

WARRANTY

Blanco America's Kitchen faucets feature a "NO HASSLE" LIMITED LIFETIME WARRANTY to be free of all manufacturing defects under normal use. See our complete warranty for details.

While Blanco America endeavors to provide accurate information, all dimensions are nominal, cannot be guaranteed, and are subject to change or cancellation. Blanco America assumes no responsibility for use of superseded or voided specifications.

PRODUCT SPECIFICATION

Kitchen faucet to include solid brass body, minimalist lever handle and swivel spout. Faucet dimensions to be as follows: Reach: 9"; Spout Height: 10". Reversible mounting hardware to adapt to thick or thin mounting surfaces. Kitchen faucet to be BLANCOZIROS™, Model 157-045-_____ in _____ finish.

Polished Chrome 157-045-CR

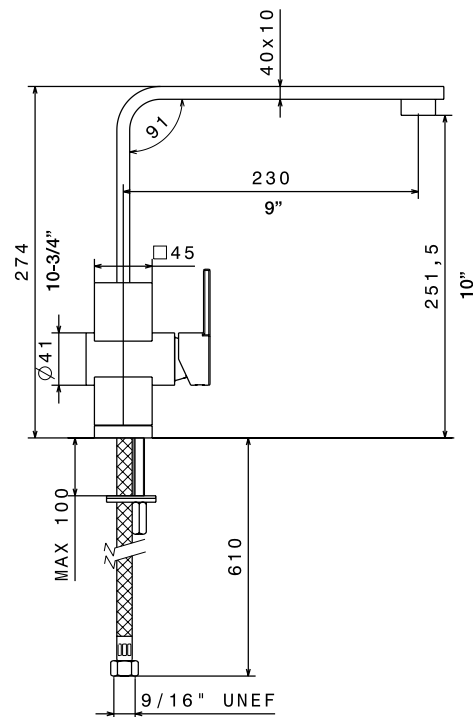
Stainless (Satin Nickel) 157-045-ST



MODEL 157-045

NOMINAL DIMENSIONS

MODEL	REACH	SPOUT HEIGHT	FAUCET HEIGHT
157-045	9	10	10-3/4



JOB INFORMATION

Job Name: _____

Contact: _____

Date Specified: _____

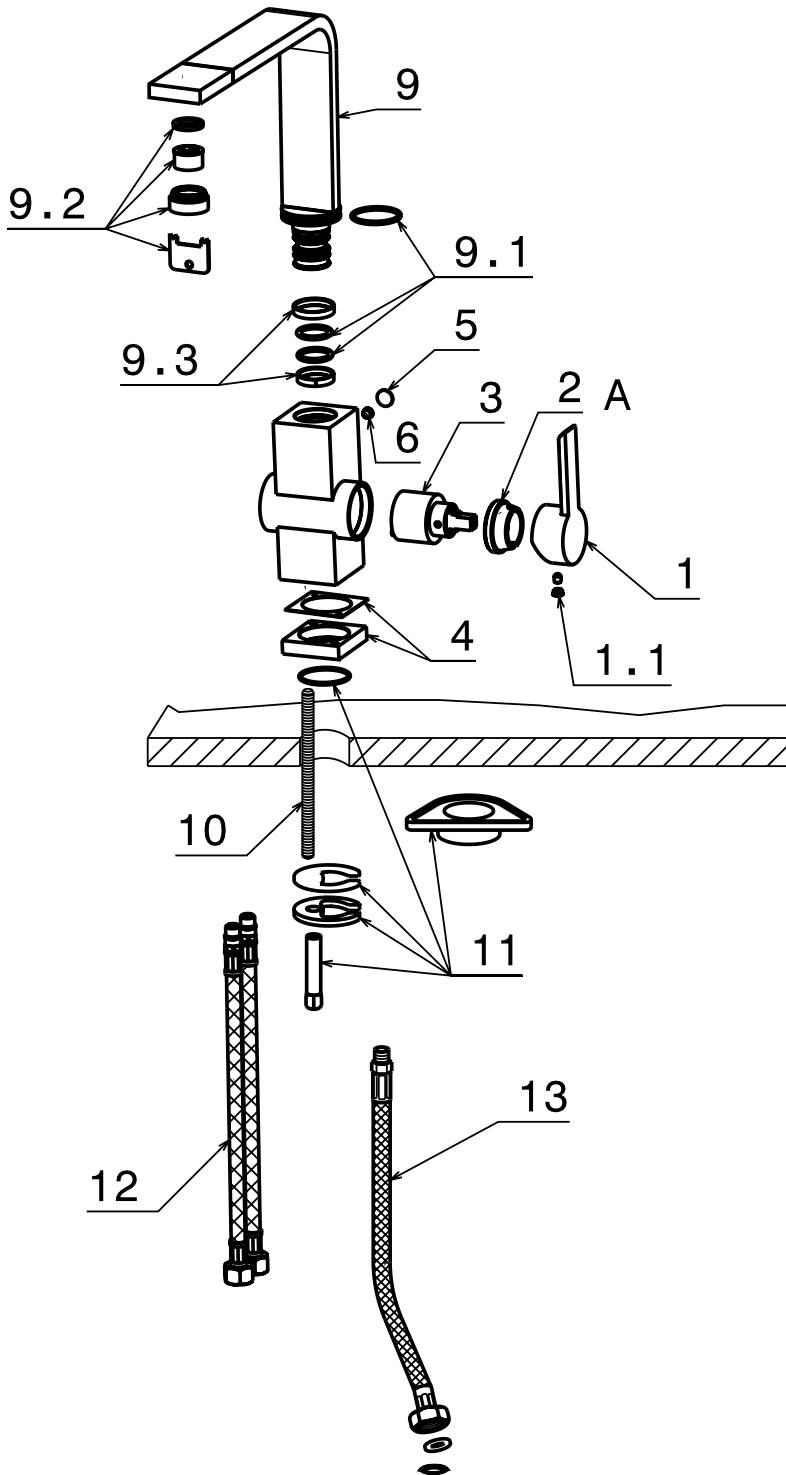
Specifier: _____

Contractor: _____

See next page for exploded parts drawing and parts list.

BLANCO AMERICA
800.451.5782
www.blancoamerica.com

BLANCOZIROS™ MODEL 157-045



NUM.	DESCRIPTION	DOC. PART #
1	LEVER	11845
1.1	SCREW	13504
2	NUT	11851
3	CARTRIDGE	14720
4	DECK PLATE	11850
5	HOLE CAP	18938
6	SCREW	10459
9	SPOUT	11899
9.1	O-RING	13313
9.2	AREATOR	74
9.3	PLASTIC RING	14802
10	ROD TREAD	16992
11	MOUNTING SET	12321
12	HOSE	15005
13	HOSE	15003